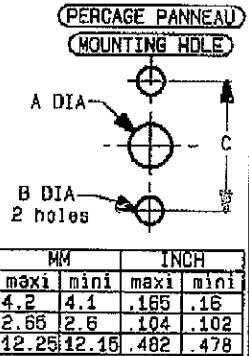
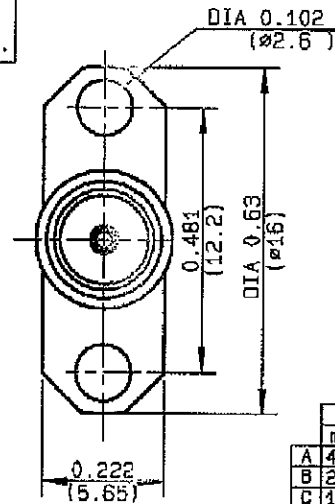
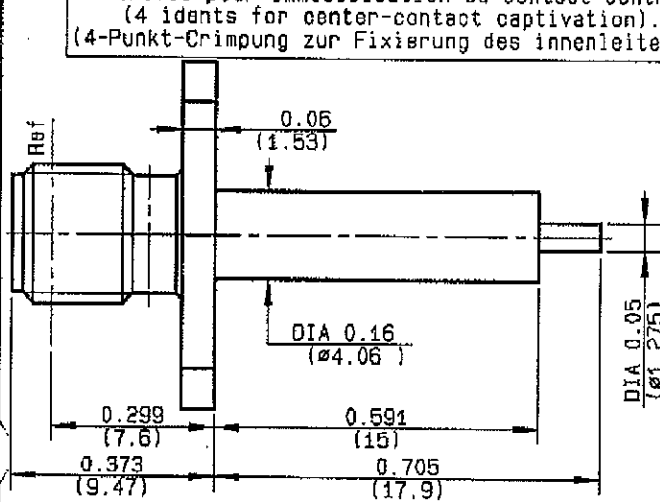


**ADJUST. 2 HOLES FLANGE JACK RECEPTACLE
WITH CYLINDRICAL CONTACT**

R124.464.270
SERIES SMA-COM

4 Creves pour immobilisation du contact-central
(4 idents for center-contact captivation).
(4-Punkt-Crimpfung zur Fixierung des innenleiters).



NOMINAL IMPEDANCE	50	Ω
FREQUENCY RANGE	0-18	GHz
TEMPERATURE RATING	-65/+165	°C
V.S.W.R	1.04 + .0045 x F(GHz)Maxi	
RF INSERTION LOSS	0.05 √F(GHz)	dB Maxi
VOLTAGE RATING	500	Veff Maxi
DIELECTRIC WITHSTANDING VOLTAGE	1000	Veff Mini
INSULATION RESISTANCE	5000	M ΩMini
HERMETIC SEAL	NA	Atm.cm ³ /s
LEAKAGE (pressurized only)	NA	
MECHANICAL DURABILITY	100	Cycles
WEIGHT	2.23	gr
SPECIFICATION		

CABLES :

OTHERS CHARACTERISTICS

	cc17.9-1s15-tro12.7-cr
CABLE RETENTION	NA N Mini
CENTER CONTACT RETENTION	
Axial force - mating end	27 N Mini
Axial force - opposite end	27 N Mini
Torque	2.8 cm.N Mini
RECOMMENDED TORQUES	
Mating	NA cm.N
Panel nut	NA cm.N
Clamp nut	NA cm.N

CONNECTOR PARTS	MATERIALS	FINISH	(all values are given) in micrometers
BODY	BRASS	BBR 2	
OUTER CONTACT			
CENTER CONTACT	BERYLLIUM COPPER	GOLD 1.3 OVER COPPER 2.5	
INSULATOR	PTFE	-	
GASKET		-	
OTHERS PIECES			

TRIQUE.

ISSUE 9847A00	CREATION DATE 31-JUL-97	FILE PART-NUMBER 96-1200-016
-------------------------	-----------------------------------	--



The information given here is subject to change without notice.
Design changes may be in order to improve the product.

Connect to the future